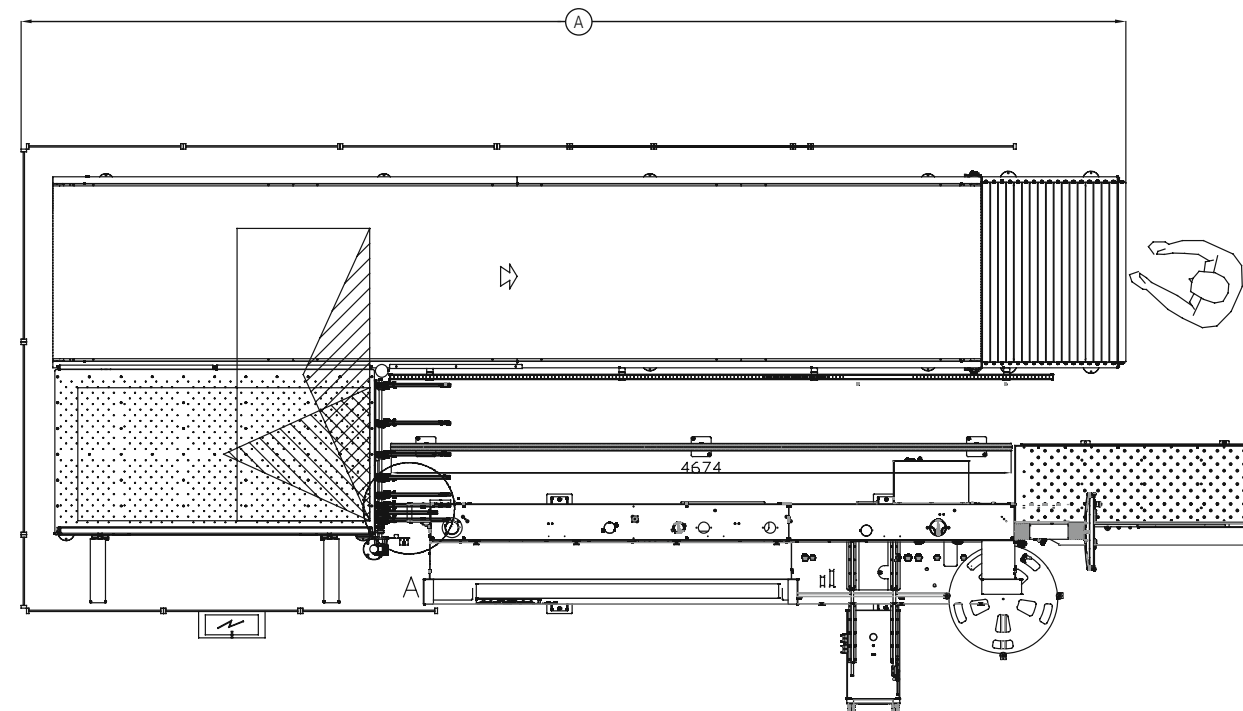


RETURN-MASTER 5920

Technical Data	Edition 2200	Edition 2800
Working height	750–890 mm (+/- 30 mm)	750–890 mm (+/- 30 mm)
Max. panel weight	60 kg	80 kg
Throughput speed	synchronized 8–25 m/min	synchronized 8–25 m/min
Workpiece sizes Length: Width: Height:	160–2200 mm 60–1000 mm 8–60 mm	160–2800 mm 60–1000 mm 8–60 mm
Cycle time	up to 14 cycles/min*	up to 14 cycles/min*
Operating pressure	6 bar	6 bar
Voltage	400 V, 50 Hz, 16 A	400 V, 50 Hz, 16 A
Total power	5,0 kW	7,0 kW
Air consumption	60 NI/min	60 NI/min

* Depending on workpiece sizes.

A (Total length standard configuration)
SPRINT 1327 LUMINA 1375
8330 mm
SPRINT 1329 LUMINA 1380
8830 mm
ACCURA 1554 LUMINA1594
10,330 mm
ACCURA 1556 LUMINA 1596
10,830 mm
ACCURA 1558 LUMINA 1595
11,330 mm

Machine dimensions are variant dependent.
(see data sheets)

The RETURN-MASTER 5920 workpiece return system is perfectly matched to the HOLZ-HER edge banding machines.

Product brochures and many videos are available at www.holzher.com

Automatic Workpiece Return

RETURN-MASTER 5920



The technical data specified is intended for reference only. HOLZ-HER woodworking machines are subject to constant development and are therefore subject to modification without prior notice. The illustrations are therefore not binding. Some of the machines shown also contain special equipment not included as a standard feature. For clarity, some of the machines are shown without protective hood.

UK – HOLZ-HER 3723 45 – Printed in Germany/Imprimé en Allemagne
Drucklegung: 22.05.2019 – Erstausgabe: 22.05.2019

Your authorised HOLZ-HER Dealer

HOLZ-HER
A member of the WEINIG Group

HOLZ-HER GmbH
Plochinger Straße 65
72622 Nürtingen
Germany
T +49 (0) 70 22 702-0
kontakt@holzher.com
www.holzher.com

PRODUCTIVITY AND PRECISION

HOLZ-HER

Your access to the comfortable material handling

Automation is becoming increasingly important even in smaller workshops, to ensure they remain competitive and operate profitably. The RETURN-MASTER sets the stage for automated edgebanding, regardless of whether mass production or lot sizes of 1. This HOLZ-HER return feature provides for efficient one-person operation for higher productivity and maximum flexibility.

RETURN-MASTER 5920 – the perfect addition to your edge banding machine.



Advantages that convince

- High efficiency for both series production and smaller batch sizes.
- Ergonomic operation and material-friendly part flow.
- Automatic adjustment of the feed speed to the edge banding machine.
- Drives and guides are distinguished by their extremely long service life and exceptionally low maintenance requirements.
- With a total weight of 2 tons, the RETURN-MASTER sets its own standards for endurance and process reliability.

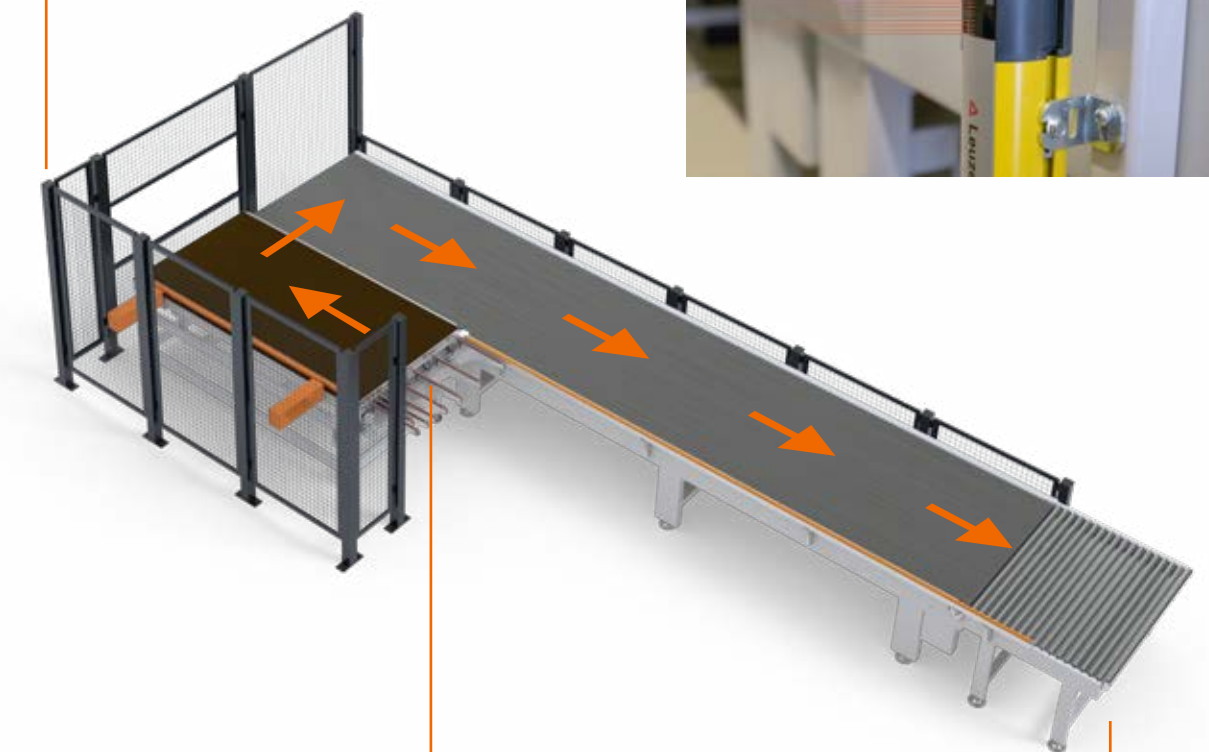
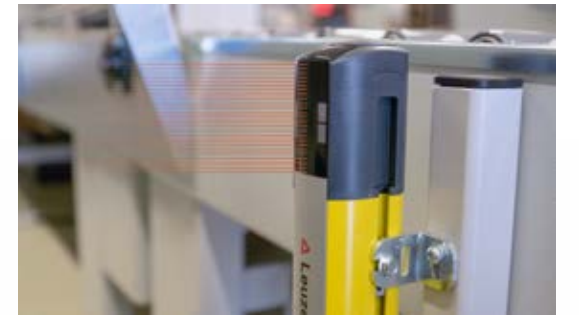


In many cases economical one-man operation allows the return system to pay for itself within a very short time.

Certified security package

The RETURN-MASTER has a perfectly coordinated safety package with your HOLZ-HER edge banding machine. The emergency stop linkage between RETURN and edge banding machine as well as the safety monitoring and confirmation system are professionally integrated.

Safety at the highest level for you and your employees.



Tilting air cushion table

The RETURN-MASTER is equipped with an air cushion table including freewheel rollers with automatic turning function for large workpieces. The lateral pneumatic pusher ensures a gentle transfer onto the conveyor belt.



Outfeed roller conveyor

Pneumatic lifting table (optional) – enables easier handling of large and heavy workpieces with just one operator.

