

Precise. Quick. Rational.

DYNESTIC 7505 | 7507



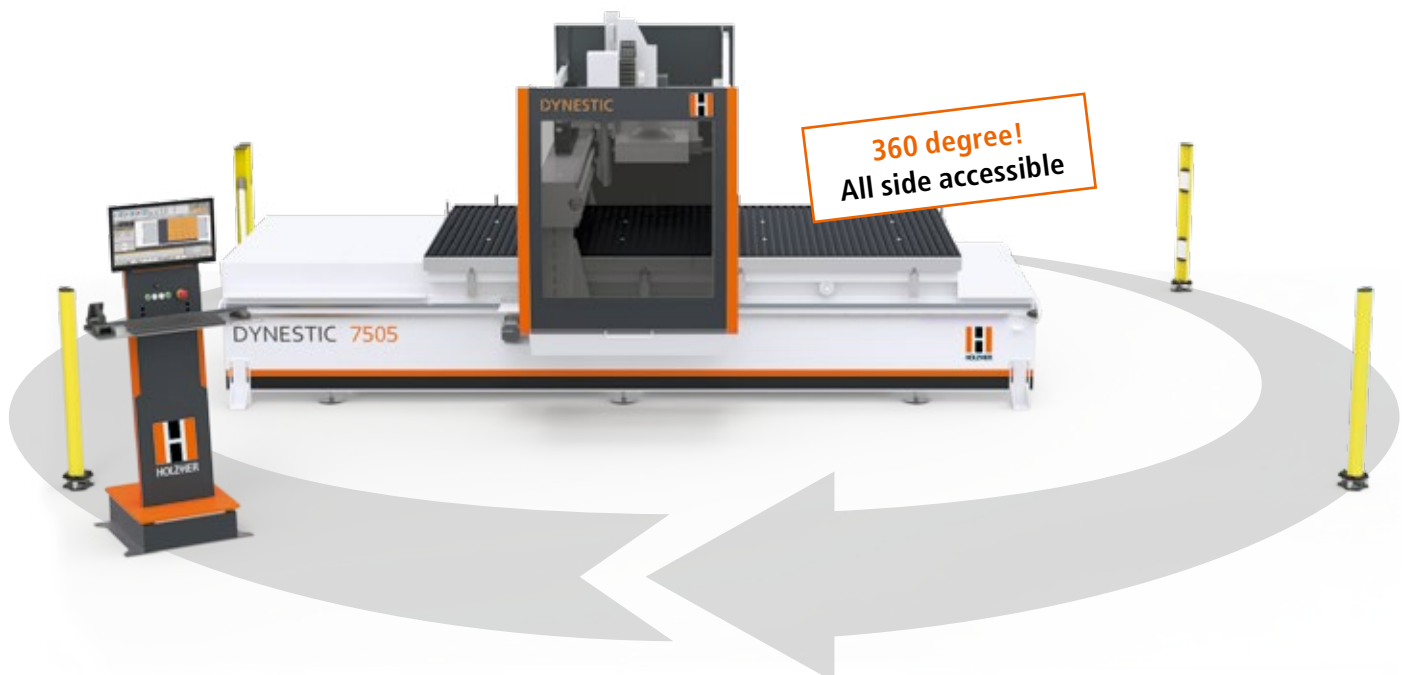
PRODUCTIVITY AND PRECISION

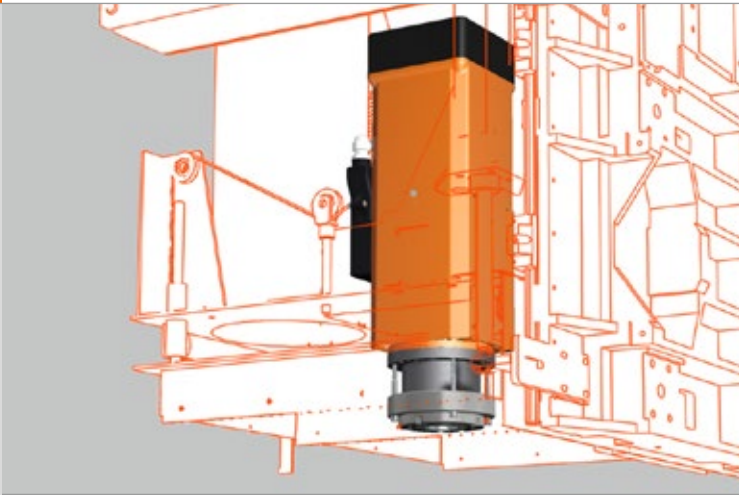


Full Power with the Latest Nesting Technology

Two series for highly efficient panel machining with nesting technology in modern gantry design. This optimized design enables really short machining cycles, while at the same time ensuring the best machining results.

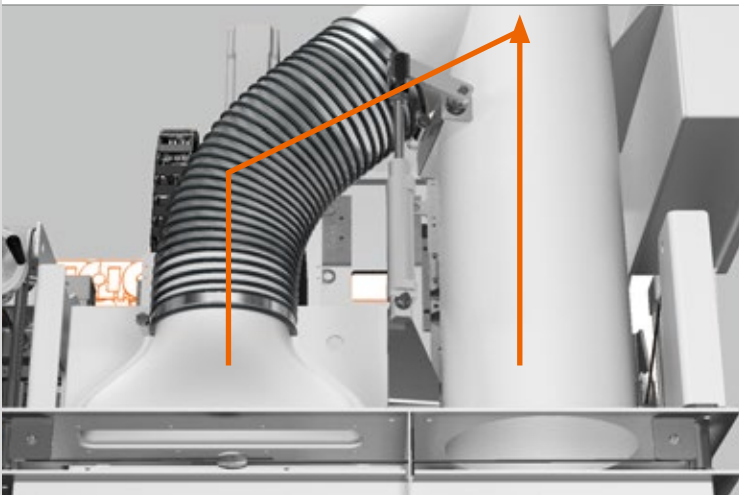
- Integrated linear 6-position tool changer, can be upgraded to up to 12 tool change positions.
- LED machine lettering with operating status display.
- High-performance spindle with ceramic bearing.
- Fully-equipped drilling head with up to 24 drilling spindles and grooving saws in X and Y direction.





Hybrid bearing, precision milling spindle

- 8 kW of power (standard air cooled).
- Optional high-power milling spindle:
 - 12 kW air-cooled
 - 10 kW liquid-cooled.



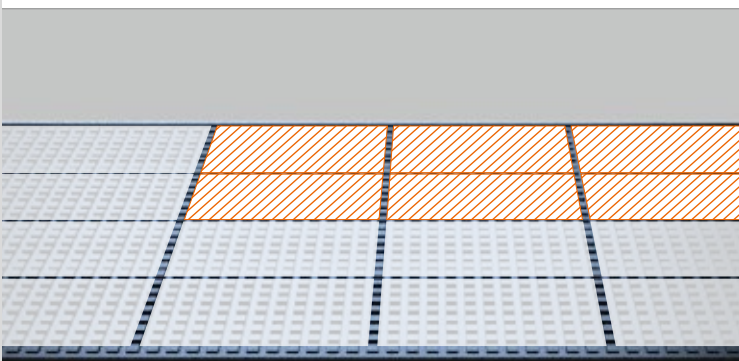
Intelligent evacuation management

With automatic switching from milling spindle to drilling unit.





Tool changer

- 6-position pick-up tool changer integrated into the machine frame. Can be upgraded to up to 12 tool change positions.
- Also option to upgrade with X/Y tool changer for the DYNESTIC angle gear.



High-flow nesting table

High-flow nesting table with 1-field vacuum (standard) or 8-field vacuum (DYNESTIC 7505) or 16-field vacuum (DYNESTIC 7507) – software controlled.

Field control:  active
 inactive

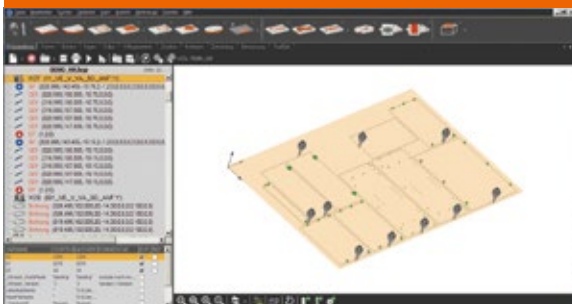
The Perfect Software Package for All Nesting Applications

- Effective and convenient programming with the CAMPUS/NC-Hops software package.
- Integrated GUI including aCADemy CAD module. Also for professional DXF/DWG import to the machine.
- HOLZ-HER BetterNest Software available for rectangular and free-form nesting with intelligent cutting optimization.
- The open software architecture allows a variety of import possibilities for linkage to third party software partners.



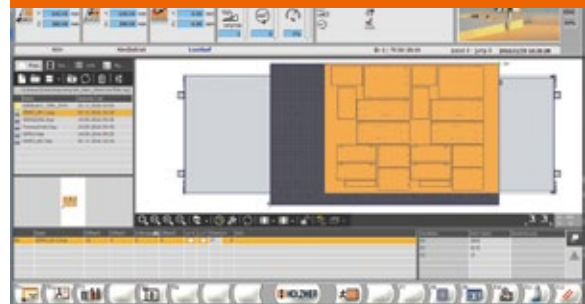
Perfect operation thanks to ergonomic control console and 21.5" monitor with 16:9 format.

Campus/NC-Hops



Extremely simple programming

Campus/NC-Hops



Job list

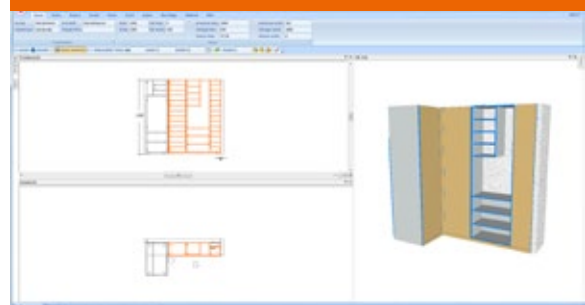
BetterNest



Rectangular nesting

Free-form nesting

CabinetControl



CabinetCompiler

Equipment Overview

Machine	DYNESTIC 7505 10.5 classic	DYNESTIC 7505 10.5 push	DYNESTIC 7507 10.7 classic	DYNESTIC 7507 10.7 push	Options	
Machining dimensions in X direction	3100 mm	3100 mm	3100 mm	3100 mm		
Machining dimensions in Y direction	1580 mm	1580 mm	2200 mm	2200 mm		
Vector speed	100 m/min	100 m/min	100 m/min	100 m/min		
Cutter unit	8 kW, air-cooled, 1000 – 24 000 rpm	8 kW, air-cooled, 1000 – 24 000 rpm	8 kW, air-cooled, 1000 – 24 000 rpm	8 kW, air-cooled, 1000 – 24 000 rpm	12 kW, air-cooled, 1000 – 24 000 rpm 10 kW, liquid-cooled, 1000 – 24 000 rpm	
Drilling head L	Drilling head L 14 spindles (10 V 4 H) including sawing unit in X direction	Drilling head L 14 spindles (10 V 4 H) including sawing unit in X direction	Drilling head L 14 spindles (10 V 4 H) including sawing unit in X direction	Drilling head L 14 spindles (10 V 4 H) including sawing unit in X direction	Drilling head XL 24 spindles (18 V 6 H) including sawing unit in X direction Double drilling spindle in Y direction Vertical drilling spindle with double positioning force	
Drilling head XL					Double drilling spindle in Y direction Vertical drilling spindle with double positioning force	
Automation	x	Automatic discharge pusher with integrated evacuation	x	Automatic discharge pusher with integrated evacuation		Free space
	x	Discharge table with conveyor belt	x	Discharge table with conveyor belt		
Workpiece support	High-flow nesting table with continuous vacuum field*	High-flow nesting table with continuous vacuum field*	High-flow nesting table with continuous vacuum field**	High-flow nesting table with continuous vacuum field**	* 8-field vacuum, software controlled **16-field vacuum, software controlled	Not possible
Safety equipment	Light grid	Light grid	Light grid	Light grid		
Workpiece clamping	2 x 140 m³/h vacuum pump low maintenance dry-running version	2 x 140 m³/h vacuum pump low maintenance dry-running version	2 x 140 m³/h vacuum pump low maintenance dry-running version	2 x 140 m³/h vacuum pump low maintenance dry-running version	Additional vacuum pump 140 m³/h vacuum pump 250 m³/h vacuum pump	x
Tool changer	6-position pick-up tool changer in the machine frame	6-position pick-up tool changer in the machine frame	6-position pick-up tool changer in the machine frame	6-position pick-up tool changer in the machine frame	Can be upgraded to up to 12 tool change positions (max. 3 x 2 items) 1-position X/Y pick-up tool changer with tool cover	Optional
Software	CAMPUS software machine license incl. aCADemy CAD/CAM module and CabinetControl Base	CAMPUS software machine license incl. aCADemy CAD/CAM module and CabinetControl Base	CAMPUS software machine license incl. aCADemy CAD/CAM module and CabinetControl Base	CAMPUS software machine license incl. aCADemy CAD/CAM module and CabinetControl Base	CAMPUS software office license	Standard
					BetterNest rectangular nesting	
					BetterNest free-form nesting	

Product brochures and many
videos are available at
www.holzher.com

The technical data specified is intended for reference only. HOLZ-HER woodworking machines are subject to constant development and are therefore subject to modification without prior notice. Illustrations are non-binding. Some of the machines shown also contain special equipment not included as a standard feature. For clarity, some of the machines are shown without protective hood.

**HOLZ-HER GmbH**
Plochinger Straße 65
72622 Nürtingen
Germany
T +49 (0) 70 22 702-0
kontakt@holzher.com
www.holzher.com

HOLZHER

A member of the WEINIG Group